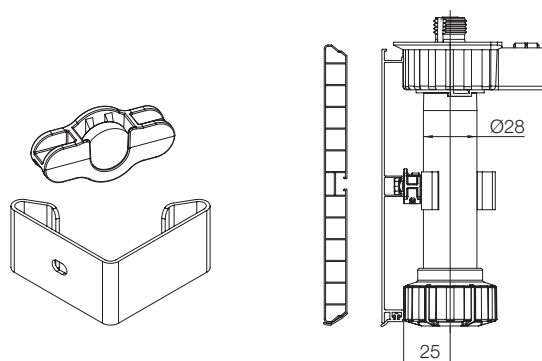


GANCI ZOCCOLO Plinth clips

CF.GZR60-02

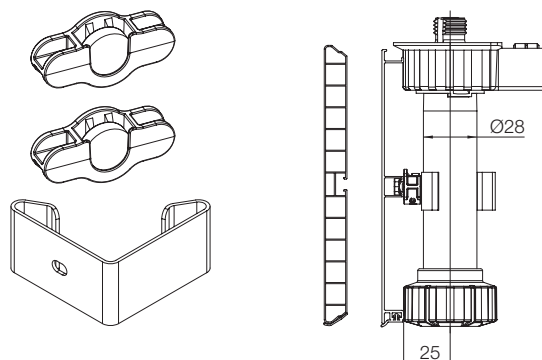
Gancio zoccolo in ferro zincato per piedini \varnothing 28 mm.
 Piastrina magnetica con aggancio per zoccolo Scilm.
 Metal Plinth clip for legs \varnothing 28 mm.
 Magnetic plate with connection for Scilm plinth.



| Code | unit | min. order (cf) | qty/box (cf) | Kg/box |
|----------|------|-----------------|--------------|--------|
| GZR60-02 | - | 250 | - | - |
| | | | | |
| | | | | |
| | | | | |
| | | | | |
| | | | | |
| | | | | |
| | | | | |
| | | | | |
| | | | | |

CF.GZR60-02A

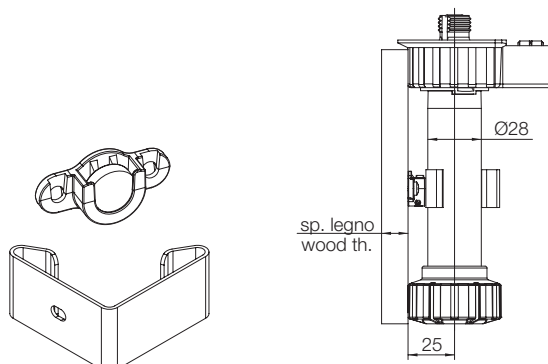
Gancio zoccolo in ferro zincato per piedini \varnothing 28 mm.
 Due piastrine magnetiche con aggancio per zoccolo Scilm.
 Metal Plinth clip for legs \varnothing 28 mm.
 Two magnetic plates with connection for Scilm plinth.



| Code | unit | min. order (cf) | qty/box (cf) | Kg/box |
|-----------|------|-----------------|--------------|--------|
| GZR60-02A | - | 250 | - | - |
| | | | | |
| | | | | |
| | | | | |
| | | | | |
| | | | | |
| | | | | |
| | | | | |
| | | | | |
| | | | | |

CF.GZR60-03

Gancio zoccolo in ferro zincato per piedini \varnothing 28 mm.
 Piastrina magnetica con fori per zoccolo in legno, fissaggio a vite.
 Metal Plinth clip for legs \varnothing 28 mm.
 Magnetic plate with holes for wood plinth, screw fixing.



| Code | unit | min. order (cf) | qty/box (cf) | Kg/box |
|----------|------|-----------------|--------------|--------|
| GZR60-03 | - | 250 | - | - |
| | | | | |
| | | | | |
| | | | | |
| | | | | |
| | | | | |
| | | | | |
| | | | | |
| | | | | |
| | | | | |