

# TINO

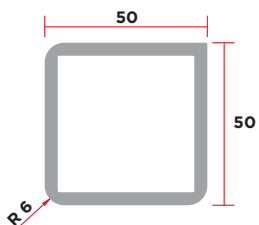
La struttura essenziale del tavolo Tino attualizza le esigenze funzionali ed estetiche dell'uso quotidiano.

Un design sobrio destinato ad una lunga durata estetica. Il profilo delle gambe in alluminio estruso, verniciato o anodizzato, si raccorda armoniosamente con i traversi laterali del piano. I tavoli fissi o allungabili possono essere con piano in vetro o laminato.

The essential structure of the Tino table, updates the functional and aesthetic needs of everyday use. A simple design for a long-lasting look.

The extruded aluminum vertical leg profile, painted or anodized, blends harmoniously with the horizontal support profiles of the frame.

The tables can be fixed or extensible, with glass or laminate top.

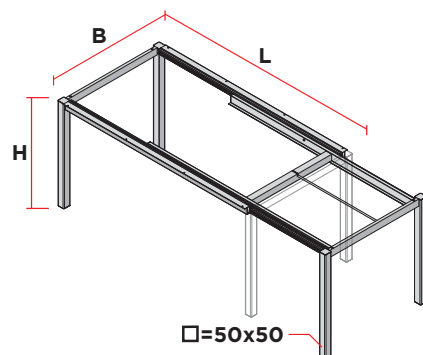
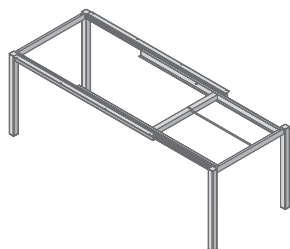


# T7700



**Struttura allungabile** predisposta per piano mobile sp. 18-20 mm prolunga non compresa.

**Extensible structure** for 18-20mm laminate top extension not included



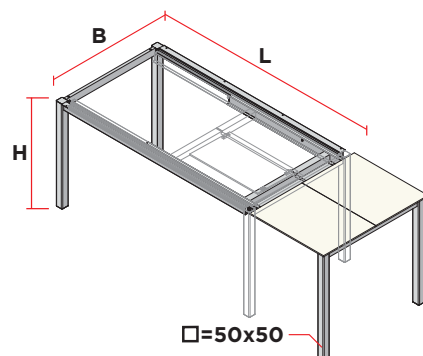
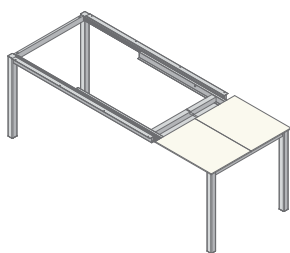
CODE	UNIT	DIMENSION		MIN ORDER QTY	PCS/BOX
		FRAME	EXT.		
		L X B X H	PCS X L	NR	NR
T7700xxx.011	NR	1200x850x740	1x600	1	1
T7700xxx.012	NR	1600x850x740	1x600	1	1
T7700xxx.013	NR	1380x850x740	1x600	1	1
T7700xxx.014	NR	1800x850x740	1x600	1	1

# T7750



**Struttura allungabile** predisposta per piano in vetro sp. 8 mm prolunga compresa (nobilitato grigio)

**Extensible structure** for glass top of 8 mm, extension included (grey laminate)

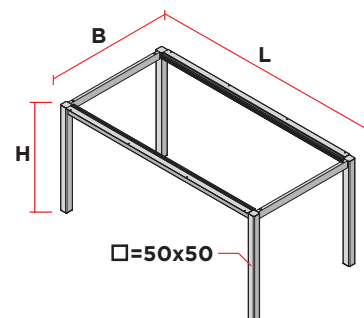
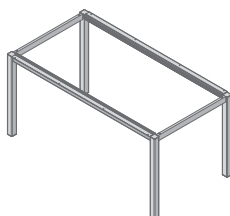


CODE	UNIT	DIMENSION		MIN ORDER QTY	PCS/BOX
		FRAME	EXT.		
		L X B X H	PCS X L	NR	NR
T7750xxx.011	NR	1200x850x740	1x600	1	1
T7750xxx.012	NR	1600x850x740	1x600	1	1
T7750xxx.013	NR	1380x850x740	1x600	1	1

# T7701



**Struttura fissa**  
**Fixed structure**

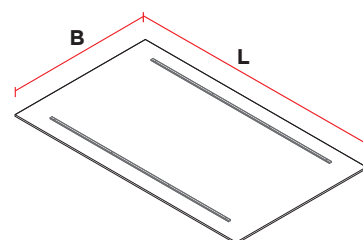
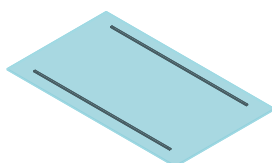


CODE	UNIT	DIMENSION		MIN ORDER QTY	PCS/BOX
		FRAME	EXT.		
		L X B X H	PCS X L	NR	NR
T7701xxx.011	NR	1200x850x740	-	1	1
T7701xxx.012	NR	1600x850x740	-	1	1
T7701xxx.013	NR	1380x850x740	-	1	1
T7701xxx.014	NR	1800x850x740	-	1	1

# KV7950

**Piano in vetro** sp. 8 mm con supporti di fissaggio integrati predisposto per T7750 e T7701

**Glass top** of 8 mm with fixing supports for T7750 and T7701



CODE	UNIT	DIMENSION		MIN ORDER QTY	PCS/BOX
		FRAME	EXT.		
		L X B X H	PCS X L	NR	NR
KV7950xx.001	NR	1200x850x8	-	1	1
KV7950xx.002	NR	1600x850x8	-	1	1
KV7950xx.003	NR	1380x850x8	-	1	1
KV7950xx.004	NR	1800x850x8	-	1	1