

MITOS

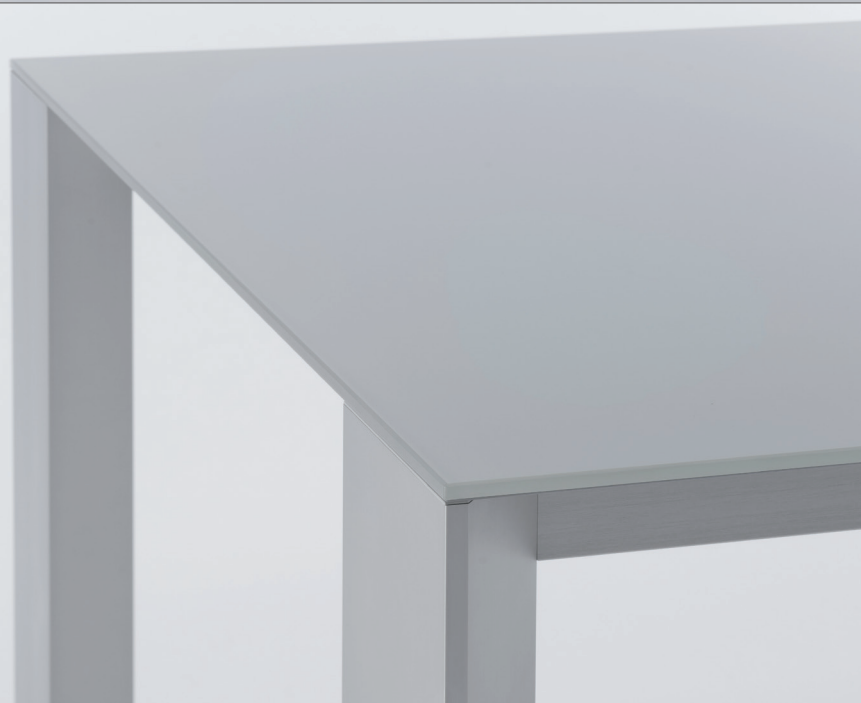
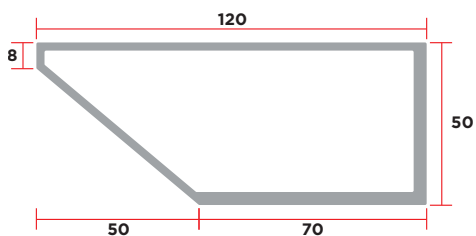
La struttura essenziale del tavolo Mitos attualizza le esigenze funzionali ed estetiche dell'uso quotidiano.

Un design sobrio destinato ad una lunga durata estetica. Il profilo delle gambe in alluminio estruso, verniciato o anodizzato, si raccorda armoniosamente con i traversi laterali del piano. I tavoli fissi o allungabili possono essere con piano in vetro o laminato.

The essential structure of the Mitos table, updates the functional and aesthetic needs of everyday use. A simple design for a long-lasting look.

The extruded aluminum vertical leg profile, painted or anodized, blends harmoniously with the horizontal support profiles of the frame.

The tables can be fixed or extensible, with glass or laminate top.

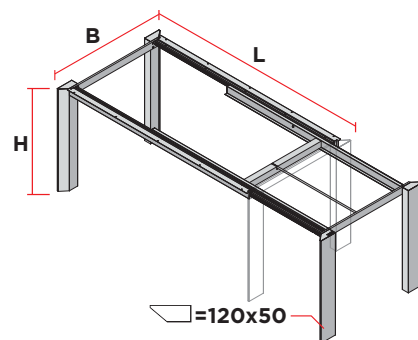
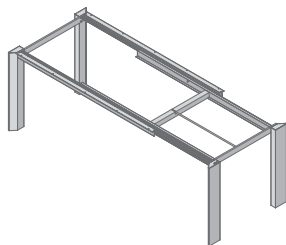


T7960



Struttura allungabile predisposta per piano mobile sp. 18-20 mm prolunga non compresa.

Extensible structure for 18-20mm laminate top extension not included



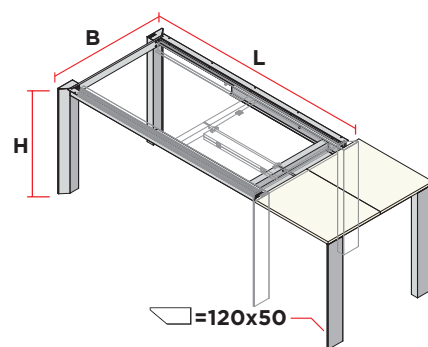
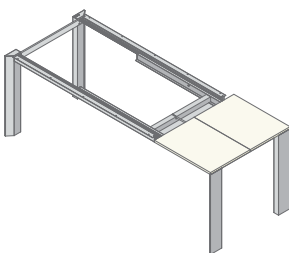
CODE	UNIT	DIMENSION		MIN ORDER QTY	PCS/BOX
		FRAME	EXT.		
		L X B X H	PCS X L	NR	NR
T7960xxx.001	NR	1200x850x740	1x600	1	1
T7960xxx.002	NR	1600x850x740	1x600	1	1
T7960xxx.003	NR	1380x850x740	1x600	1	1
T7960xxx.004	NR	1800x850x740	1x600	1	1

T7962



Struttura allungabile predisposta per piano in vetro sp. 8 mm prolunga compresa (nobilitato grigio)

Extensible structure for glass top of 8 mm, extension included (grey laminate)

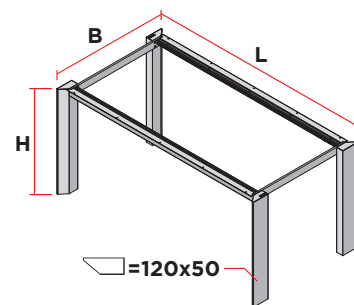
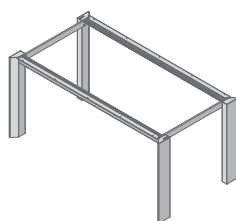


CODE	UNIT	DIMENSION		MIN ORDER QTY	PCS/BOX
		FRAME	EXT.		
		L X B X H	PCS X L	NR	NR
T7962xxx.001	NR	1200x850x740	1x600	1	1
T7962xxx.002	NR	1600x850x740	1x600	1	1
T7962xxx.003	NR	1380x850x740	1x600	1	1

T7961



Struttura fissa
Fixed structure

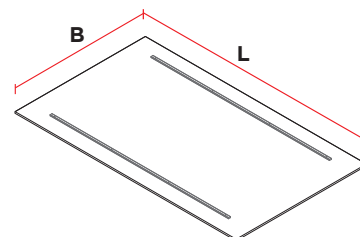
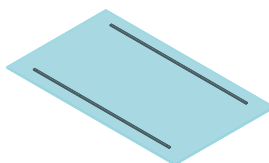


CODE	UNIT	DIMENSION		MIN ORDER QTY	PCS/BOX
		FRAME	EXT.		
		L X B X H	PCS X L	NR	NR
T7961xxx.001	NR	1200x850x740	-	1	1
T7961xxx.002	NR	1600x850x740	-	1	1
T7961xxx.003	NR	1380x850x740	-	1	1
T7961xxx.004	NR	1800x850x740	-	1	1

KV7960

Piano in vetro sp. 8 mm con supporti di fissaggio integrati predisposto per T7962 e T7961

Glass top of 8 mm with fixing supports for T7962 and T7961



CODE	UNIT	DIMENSION		MIN ORDER QTY	PCS/BOX
		FRAME	EXT.		
		L X B X H	PCS X L	NR	NR
KV7960xx.001	NR	1200x850x8	-	1	1
KV7960xx.002	NR	1600x850x8	-	1	1
KV7960xx.003	NR	1380x850x8	-	1	1
KV7960xx.004	NR	1800x850x8	-	1	1