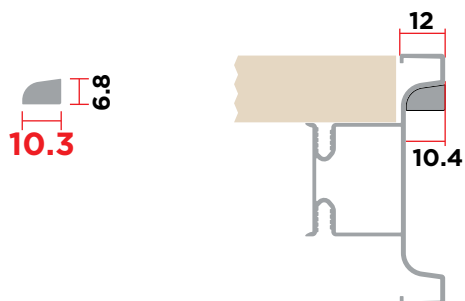


1275

Compensatore forno

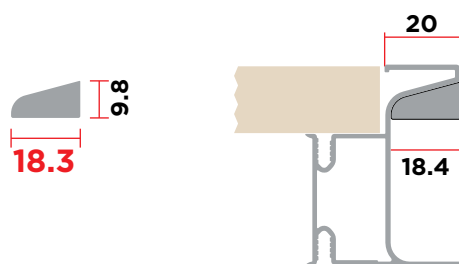
Aluminum profile for oven

A V



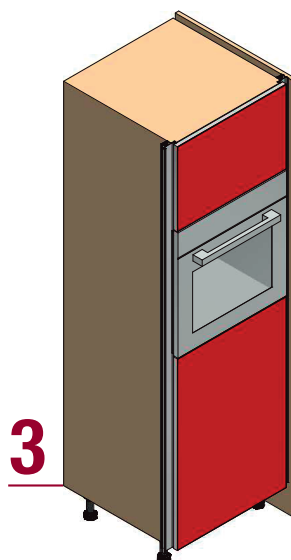
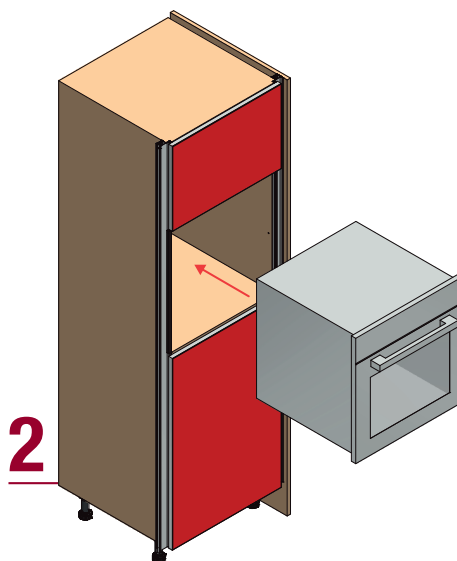
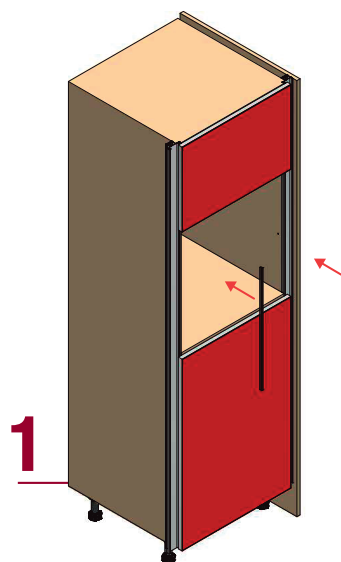
1275xxx.0016

per gola verticale
art. 8059-8074 e art. 8032-8033
for art. 8059-8074 and art. 8032-8033



1275xxx.0017

per gola verticale art. 8019-8020
for art. 8019-8020



CODE	UNIT	DIMENSION	MIN ORDER QTY	PCS/BOX	BOX SIZES	WEIGHT	VOLUME
		L					
1275xxx.0016	NR	580	50	50	-	4,00	-
1275xxx.0017	NR	580	50	50	-	4,00	-