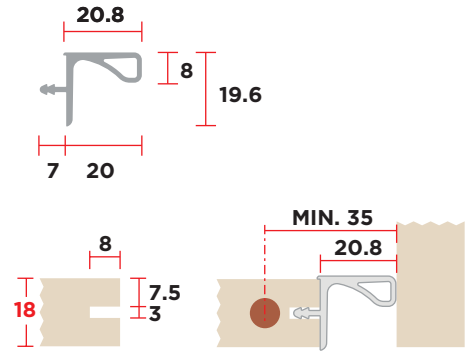
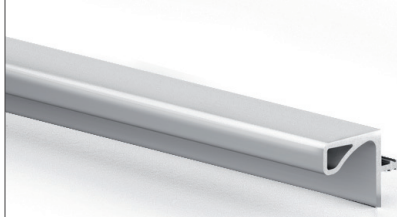


R1730

Profilo gola per pensile
Gola profile for hanging units

A

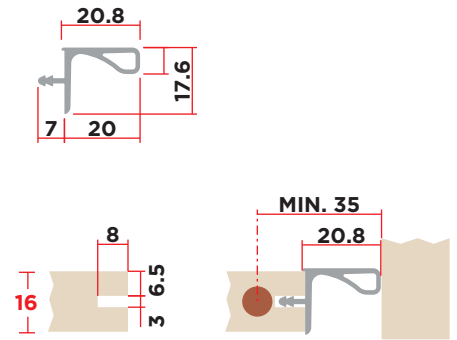
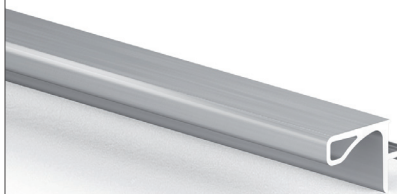


CODE	UNIT	DIMENSION	MIN ORDER QTY	PCS/BOX	BOX SIZES	WEIGHT	VOLUME
		L	ML	NR	L X B X H	KG	M ³
R1730xxxL39	ML	3900	117	30	BOX06 4040x80x205	33,35	0,066

R1746

Profilo gola per pensile
Gola profile for hanging units

A

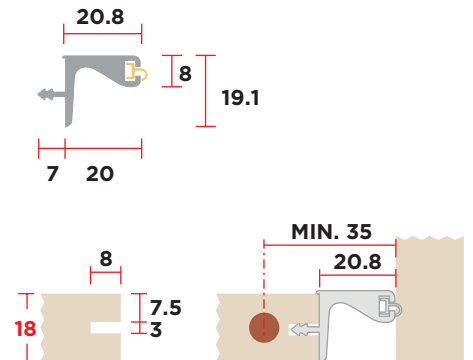
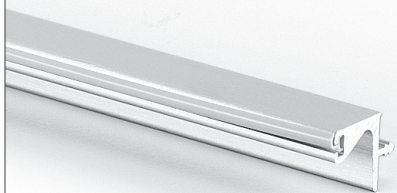


CODE	UNIT	DIMENSION	MIN ORDER QTY	PCS/BOX	BOX SIZES	WEIGHT	VOLUME
		L		NR	L X B X H	KG	M ³
R1746xxxL39	ML	3900	117	30	BOX06 4040x80x205	33,35	0,066

R1717

Profilo gola per pensile con guarnizione
Gola profile for hanging units with gasket

A



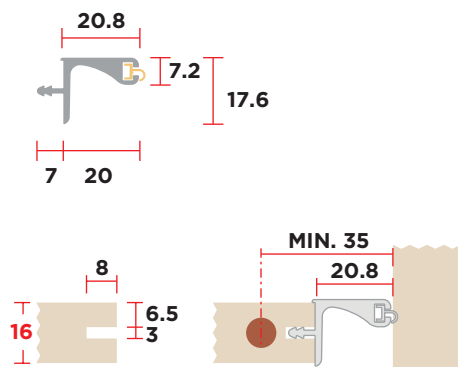
CODE	UNIT	DIMENSION	MIN ORDER QTY	PCS/BOX	BOX SIZES	WEIGHT	VOLUME
		L	ML	NR	L X B X H	KG	M ³
R1717xxx07L39	ML	3900	97,5	25	BOX06 4040x80x205	38,51	0,066

R1725

Profilo gola per pensile con guarnizione

Gola profile for hanging units with gasket

A



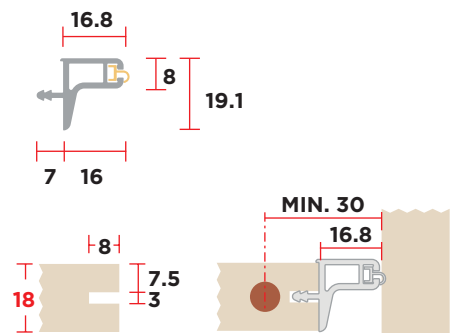
CODE	UNIT	DIMENSION	MIN ORDER QTY	PCS/BOX	BOX SIZES	WEIGHT	VOLUME
		L	ML	NR	L X B X H	KG	M ³
R1725xxx07L39	ML	3900	1170	25	BOX06 4040x80x205	32,00	0,066

R1719

Profilo gola per pensile con guarnizione

Gola profile for hanging units with gasket

A



CODE	UNIT	DIMENSION	MIN ORDER QTY	PCS/BOX	BOX SIZES	WEIGHT	VOLUME
		L	ML	NR	L X B X H	KG	M ³
R1719xxx07L39	ML	3900	1170	25	BOX06 4040x80x205	29,50	0,066