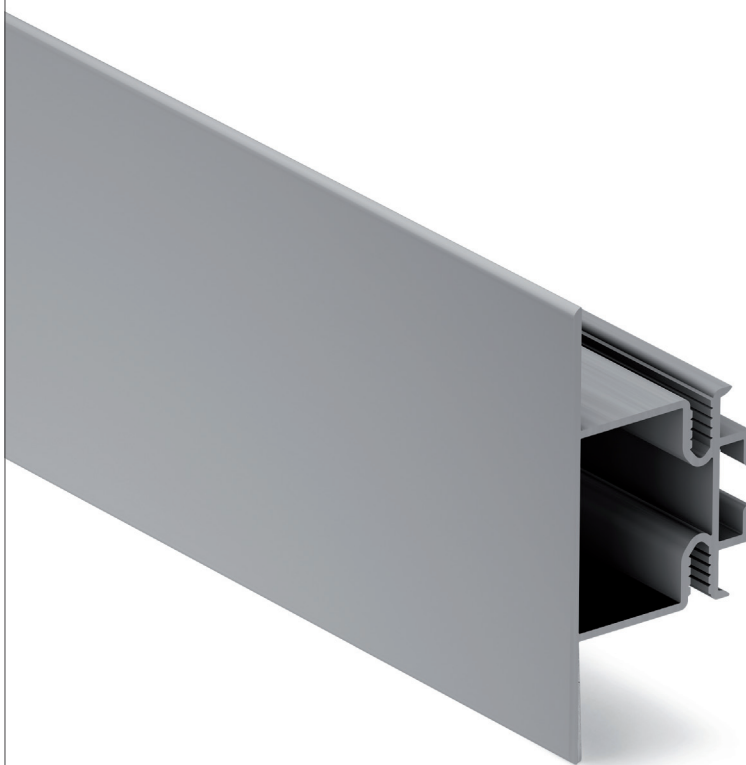
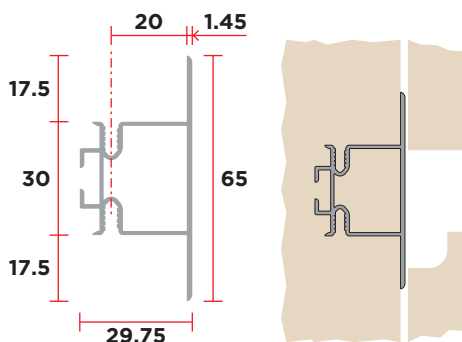


8076

Gola piatta orizzontale per cassetto

Flat horizontal gola system for drawer

CON LAVORAZIONE SU PROFILO
ADDITIONAL MILLING NEEDED
ON THE PROFILE

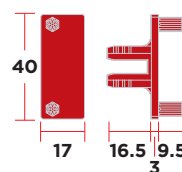
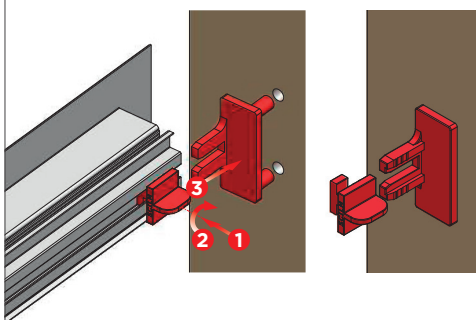


CODE	UNIT	DIMENSION	MIN ORDER QTY	PCS/BOX	BOX SIZES	WEIGHT	VOLUME
		L	ML	NR	L X B X H	KG	M ³
8076xxL45	ML	4500	67,5	15	BOX07L 5050x110x205	48,00	0,114

SU136

Supporto rapido con pioli

Pins fixing quick support

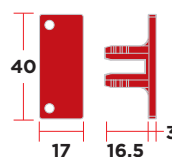
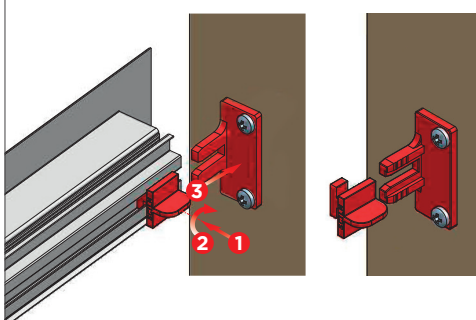


CODE	UNIT	DIMENSION	MIN ORDER QTY	PCS/BOX	BOX SIZES	WEIGHT	VOLUME
		-	NR	NR	L X B X H	KG	M ³
SU136DS590000	CP	-	300	300	BOX01PB 400x300x200	3,30	0,024

SU116

Supporto rapido attacco a vite

Screw fixing quick support



CODE	UNIT	DIMENSION	MIN ORDER QTY	PCS/BOX	BOX SIZES	WEIGHT	VOLUME
		-	NR	NR	L X B X H	KG	M ³
SU116DS590000	CP	-	300	300	BOX01PB 400x300x200	3,30	0,024