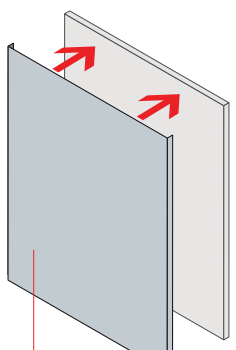


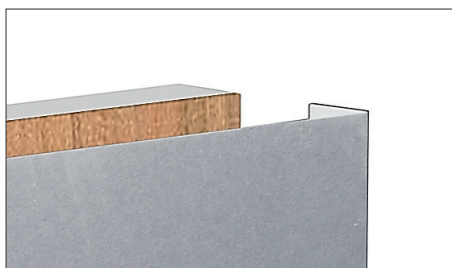
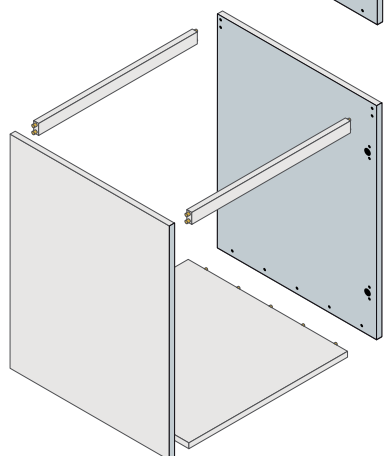
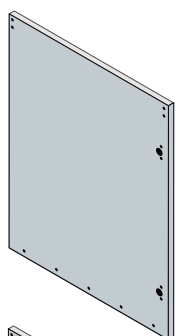
# 785L

Coprifianco per mobile  
in alluminio **LISCIO**  
**ANTIMACCHIA E ANTIGRAFFIO**

**PLAIN, SCRATCH-RESISTANT**  
and **STAIN-RESISTANT**  
aluminum side cover for cabinet



**fianco livello**  
side protection sink



CODE	UNIT	DIMENSION	CABINET DIMENSION	MIN ORDER QTY	PCS/BOX	BOX SIZES	WEIGHT	VOLUME
785Lxx.xxx	NR	-	L	10	10	L X B X H	KG	M <sup>3</sup>