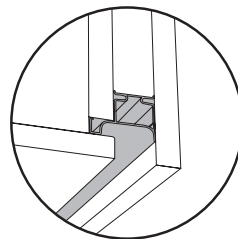
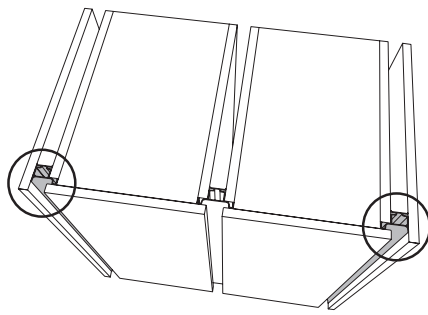
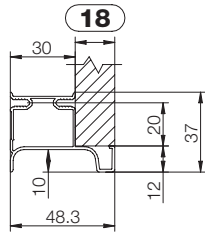


PROFILI GOLA VERTICALI Vertical Gola profiles

8074

Profilo gola verticale laterale per fianchi spessore 18 mm.
Side vertical Gola profile for side panels 18 mm thick.

IG A V

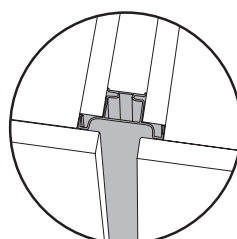
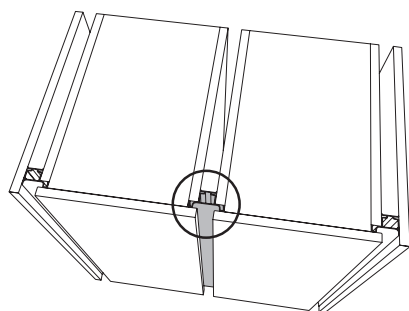
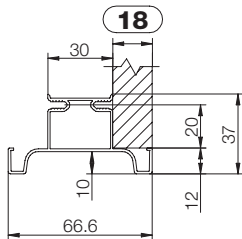


Code	L. (mm)	min. order (unit ml)	qty/box (nr)	Kg/box
8074xxxL45	4500	45	10	25,50

8059

Profilo gola verticale intermedia per fianchi spessore 18 mm.
Intermediate vertical Gola profile for side panels 18 mm thick.

IG A V



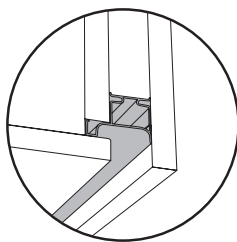
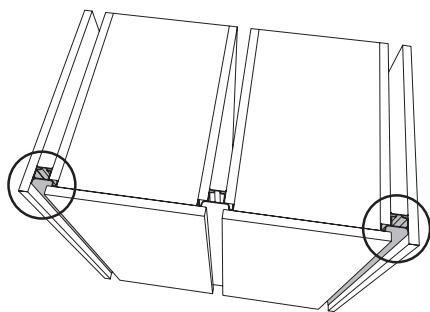
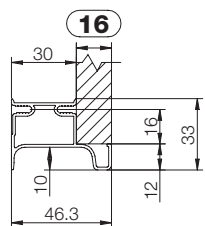
Code	L. (mm)	min. order (unit ml)	qty/box (nr)	Kg/box
8059xxxL45	4500	45	10	32,60

PROFILI GOLA VERTICALI Vertical Gola profiles

8033

Profilo gola verticale laterale per fianchi spessore 16 mm.
Side vertical Gola profile for side panels 16 mm thick.

IG A V

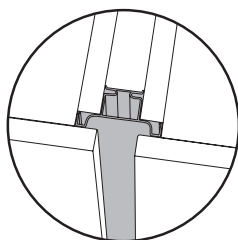
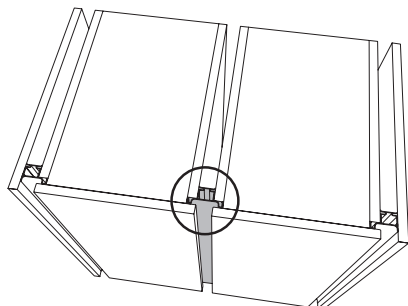
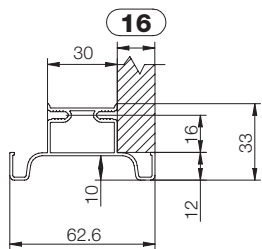


Code	L. (mm)	min. order (unit ml)	qty/box (nr)	Kg/box
8033xxxL45	4500	54	12	33,60

8032

Profilo gola verticale intermedio per fianchi spessore 16 mm.
Intermediate vertical Gola profile for side panels 16 mm thick.

IG A V



Code	L. (mm)	min. order (unit ml)	qty/box (nr)	Kg/box
8032xxxL45	4500	45	10	32,00