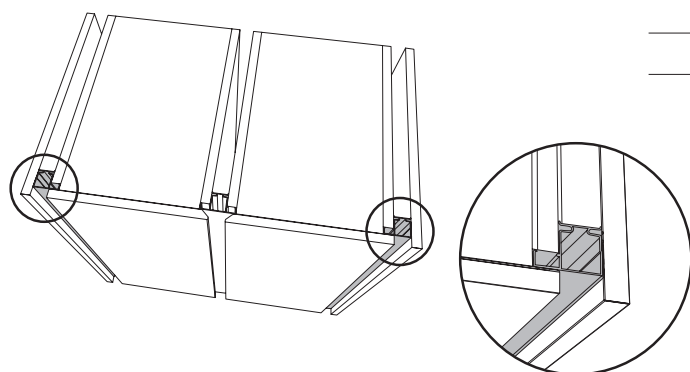
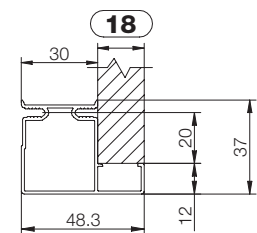


## PROFILI GOLA VERTICALI Vertical Gola profiles

### 8025

Profilo gola verticale laterale piatto per fianchi spessore 18 mm.  
Flat side vertical Gola profile for side panels 18 mm thick.

**IG A V**

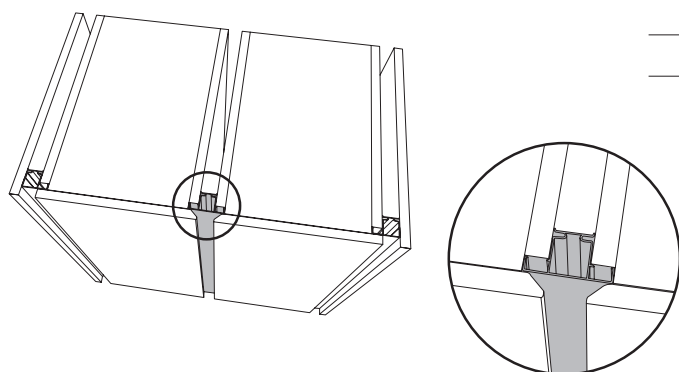
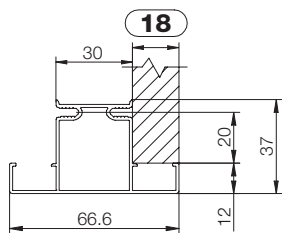


Code	L. (mm)	min. order (unit m)	qty/box (nr)	Kg/box
8025xxxL45	4500	45	10	29,60

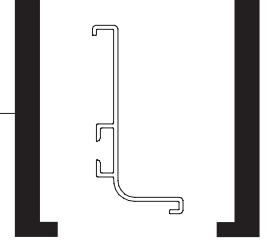
### 8026

Profilo gola verticale intermedio piatto per fianchi spessore 18 mm.  
Flat intermediate vertical Gola profile for side panels 18 mm thick.

**IG A V**



Code	L. (mm)	min. order (unit m)	qty/box (nr)	Kg/box
8026xxxL45	4500	45	10	31,50

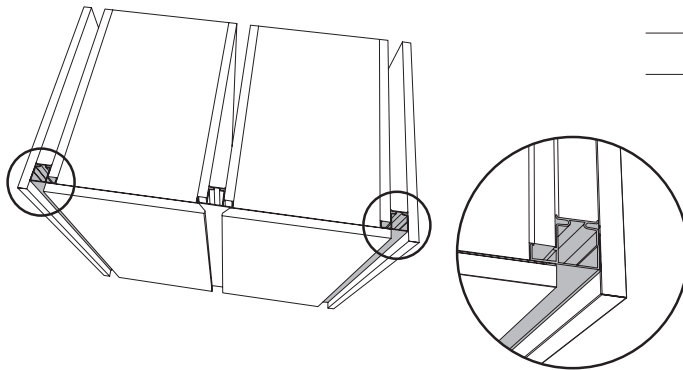
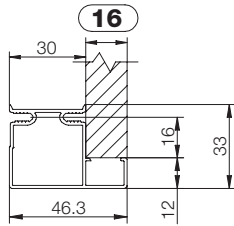


**PROFILI GOLA VERTICALI** Vertical Gola profiles

**8072**

Profilo gola verticale laterale piatto per fianchi spessore 16 mm.  
Flat side vertical Gola profile for side panels 16 mm thick.

**IG A V**

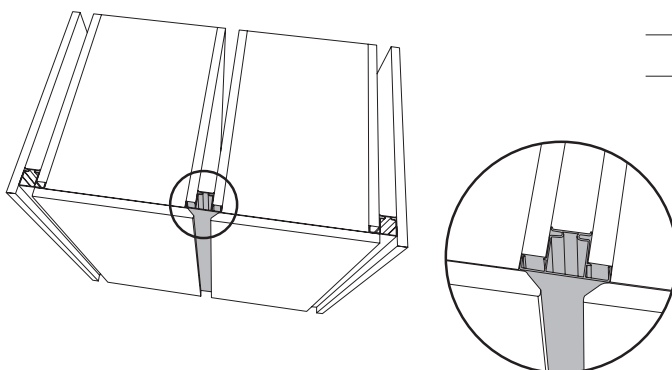
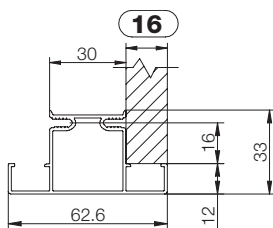


Code	L. (mm)	min. order (unit ml)	qty/box (nr)	Kg/box
8072xxxL45	4500	45	10	28,00

**8073**

Profilo gola verticale intermedio piatto per fianchi spessore 16 mm.  
Flat intermediate vertical Gola profile for side panels 16 mm thick.

**IG A V**



Code	L. (mm)	min. order (unit ml)	qty/box (nr)	Kg/box
8073xxxL45	4500	45	10	33,00