

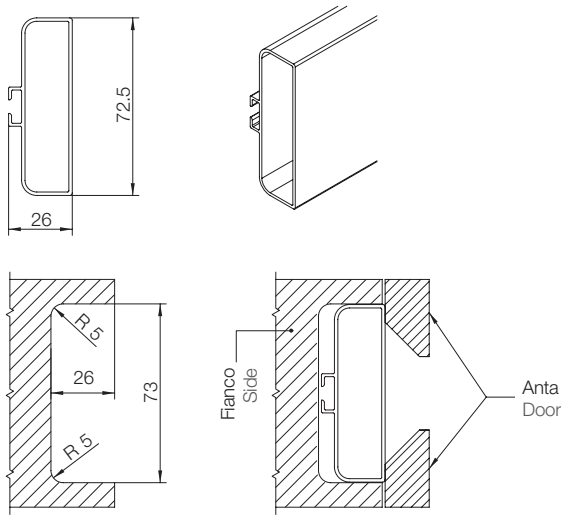
**PROFILI GOLA ORIZZONTALI** Horizontal Gola profiles

**8022**

Profilo gola cassetiera/cestoni piatta.  
Flat Gola profile for drawer unit/deep drawers.

Se il profilo è impiallacciato la fresata deve essere di 74 mm e le quote 20,5 passano a 21,0.  
If the profile is veneered, the milled detail must be 74 mm and the dimension increased from 20.5 to 21.0.

**M I G A V**

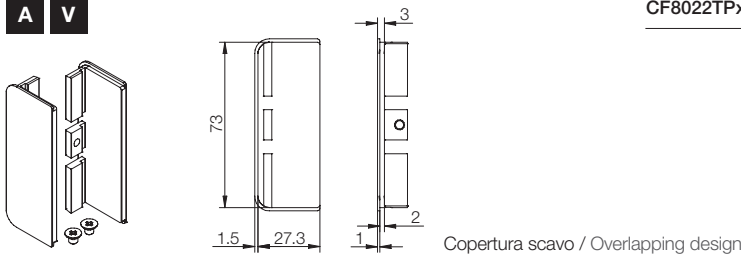


Code	L. (mm)	min. order (unit ml)	qty/box (nr)	Kg/box
8022xxxL39	3900	39	10	28,28

**CF8022TP**

Terminale esterno universale. Alluminio. Copertura scavo 1 mm.  
Universal external end cap. Aluminium. Overlapping design 1 mm.

**A V**

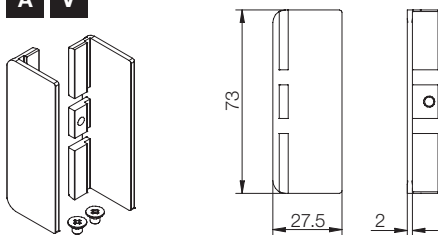


Code	unit	min. order (cf)	qty/box (cf)	Kg/box
CF8022TPxxx	CF	10	10	0,45

**CF8007TPIxxxC**

Terminale interno universale. Alluminio.  
Universal internal end cap. Aluminium.

**A V**



Code	unit	min. order (cf)	qty/box (cf)	Kg/box
CF8007TPIxxxC	CF	10	10	0,45