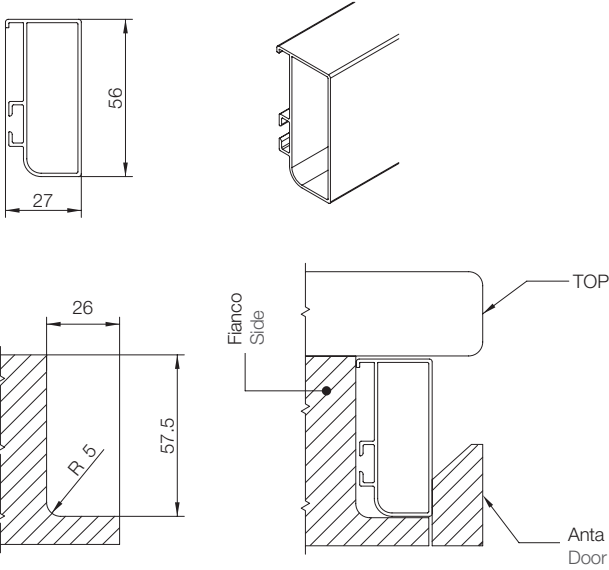


## PROFILI GOLA ORIZZONTALI Horizontal Gola profiles

### 8021

Profilo gola sottotop piatta.  
Flat undertop Gola profile.

**M IG A V**



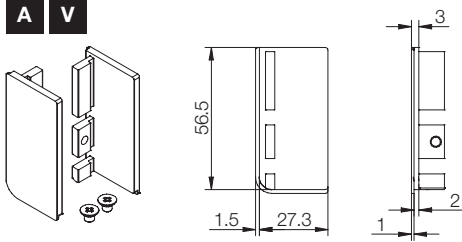
Code	L. (mm)	min. order (unit ml)	qty/box (nr)	Kg/box
8021xxxL39	3900	39	10	21,72

PROFILI GOLA  
GOLA PROFILES

### CF8021TP

Terminale esterno dx/sx. Alluminio. Copertura scavo 1 mm.  
External end cap Rh/Lh. Aluminium. Overlapping design 1 mm.

**A V**



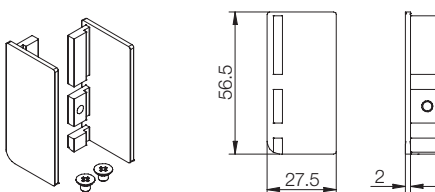
Copertura scavo / Overlapping design

Code	unit	min. order (cf)	qty/box (cf)	Kg/box
CF8021TPxxx	CF	10	10	0,36

### CF8006TPxxxC

Terminale interno dx/sx . Alluminio.  
Internal end cap Rh/Lh. Aluminium.

**A V**



Code	unit	min. order (cf)	qty/box (cf)	Kg/box
CF8006TPxxxC	CF	10	10	0,21