

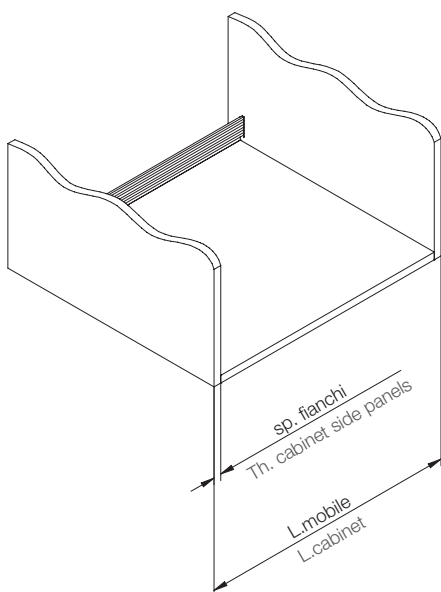
CATENARIA PER MOBILE LEVELLO

Catenaria profile for sink cabinet.

755D-8

Catenaria millerighe per mobile livello con spine in legno.
Catenaria for sink cabinet with wood dowels.

Code	Cabinet dimension (mm)	min. order (unit nr)	qty/box (nr)	Kg/box
755Dxxx.001	450	40	40	-
755Dxxx.001	600	40	40	-
755Dxxx.001	900	40	40	-
755Dxxx.001	1200	40	40	-



Abbinabile a:
For use with:

- 900
- 930
- 930/G
- 755L

