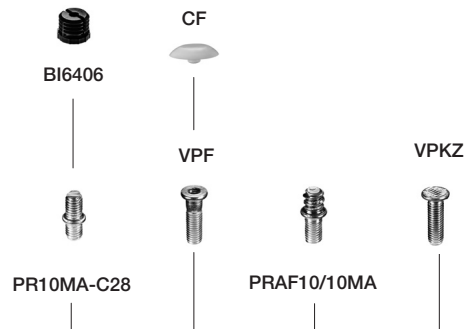


PIEDINI BASE Legs for base cabinet

GAMMA / COMPONENTI

RANGE / COMPONENTS



280 R270

h 100
h 120
h 150

282 R270

h 100
h 120
h 150

250 R50

h 100
h 110
h 120
h 130
h 140
h 150

252 R50

h 100
h 110
h 120
h 130
h 140
h 150

250 PR50

h 80 - 130
h 90 - 140
h 100 - 150
h 110 - 160
h 120 - 170
h 130 - 180

232 R50

h 70
h 80

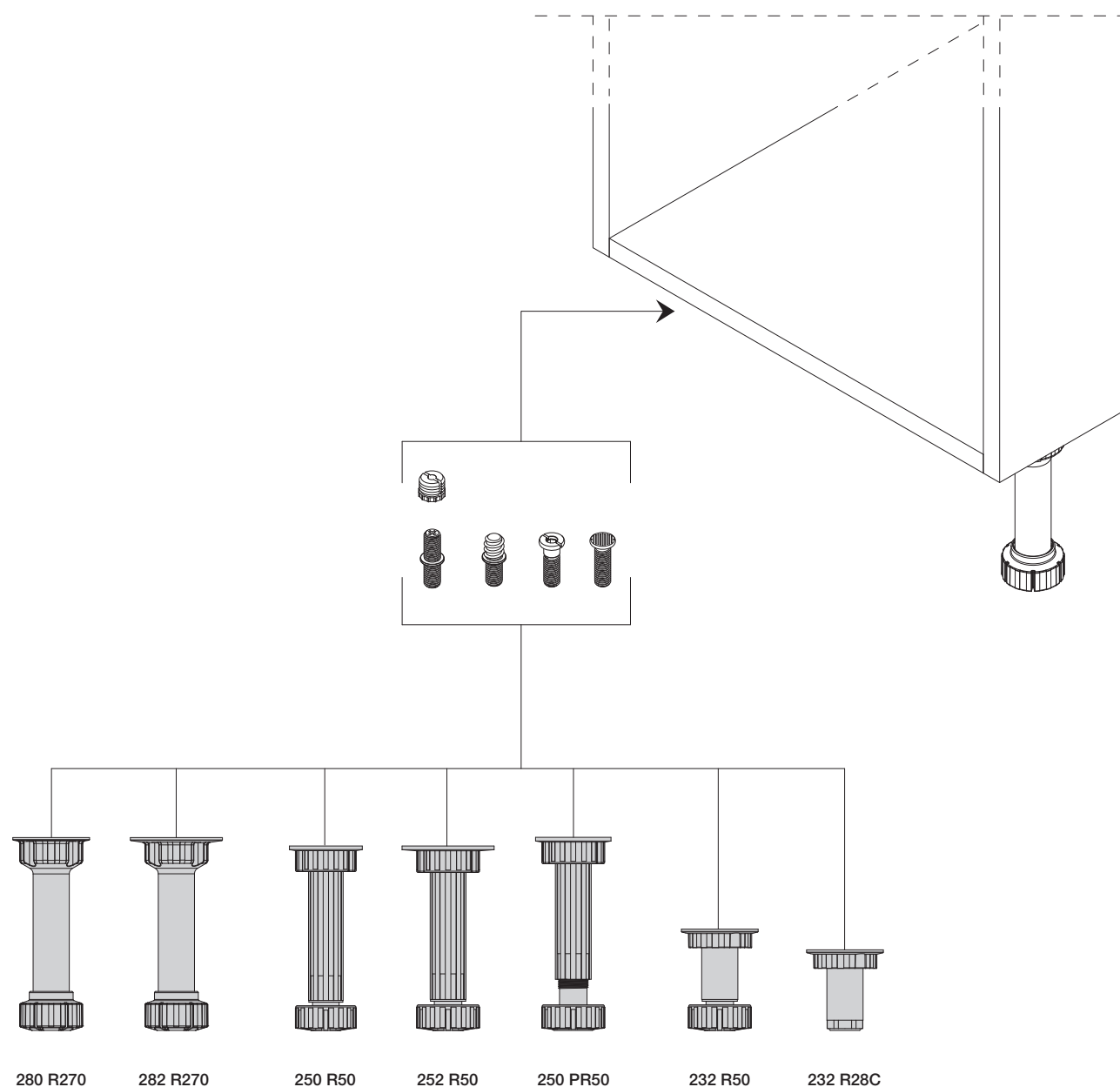
232 R28C

h 53
h 63

PIEDINI BASE Legs for base cabinet

FUNZIONE

FUNCTION



PIEDINI BASE Legs for base cabinet

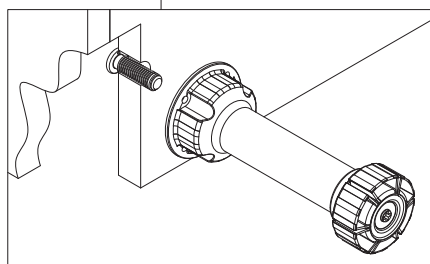
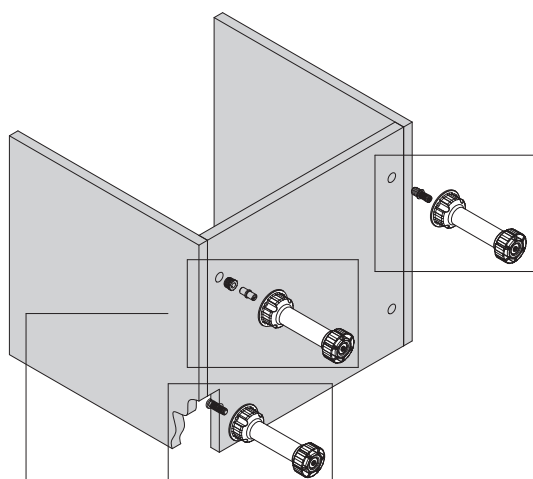
APPLICAZIONI

APPLICATIONS

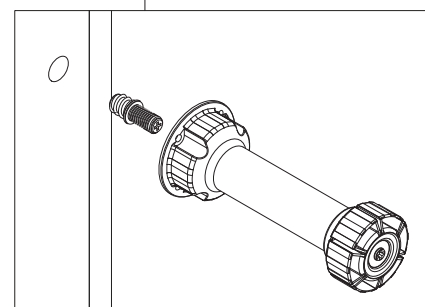
MODALITÀ DI INSERIMENTO

SU MOBILE BASE

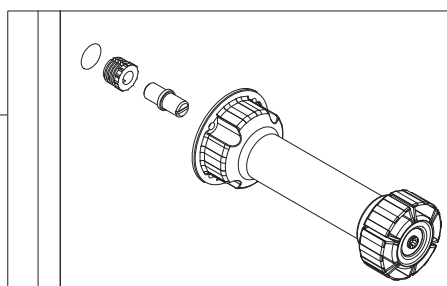
PROCEDURE FOR INSERTING
IN CABINET BASE



Vite per foro passante
Screw for through-hole
VPF - VPKZ



Vite autofilettante
Self-tapping screw
PRAF10/10MA



Prigioniero con bussola
Threaded stud with bush
PR10MA-C28 + BI6406