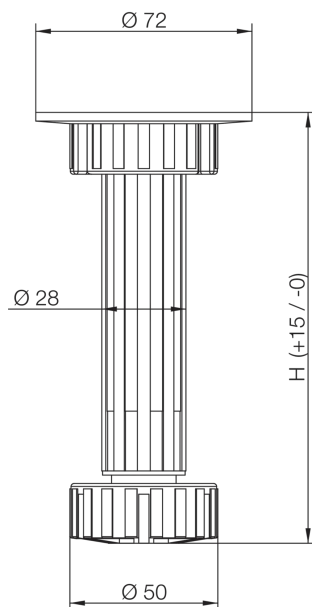


**PIEDINI BASE** Legs for base cabinet

**252 R50**

Piedino con base integrata.

Leg with integrated base.



Code	H (mm)	Min. order (No)	Qty/box (No)	Kg/box
<b>252R5010SF</b>	100	180	180	12,78
<b>252R5011SF</b>	110	160	160	12,65
<b>252R5012SF</b>	120	150	150	12,26
<b>252R5013SF</b>	130	140	140	11,85
<b>252R5014SF</b>	140	130	130	10,62
<b>252R5015SF</b>	150	130	130	11,50

Base per forature da 25 a max 32 mm.

Base for hole drilling from 25 to max. 32 mm.



**Viti utilizzate:**

Screws used:

- VPF
- VPKZ
- PR10MA-C28
- PRAF10/10MA

**Ganci utilizzati:**

Clips used:

- GZR54
- GZR58-01
- GZR58-02
- GZR58-03
- Blink/CF.GZR60-02
- Blink/CF.GZR60-02A
- Blink/CF.GZR60-03